

INCISO COPPER

Mixer Taps

Code: R424 S58

MITIGEUR INCISO COPPER



DETAILS

Mixer type Single lever faucet with rotating barrel and flexible head.

Texture Brushed in line

Coloring Copper

Finish PVD

Material Stainless steel AISI 316

Rotating angle 360°

Strengthening plate ø50mm

Cartridge With ceramic discs

Mixer hole ø35mm

Aesthetics parts

AISI 316 steel aesthetic parts with PVD treatment

Max worktop thickness

40mm

FEATURES

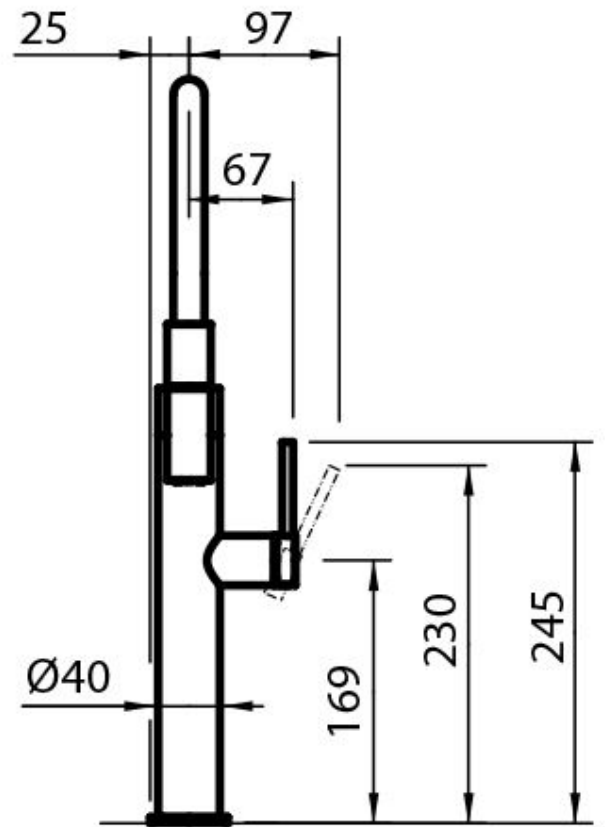
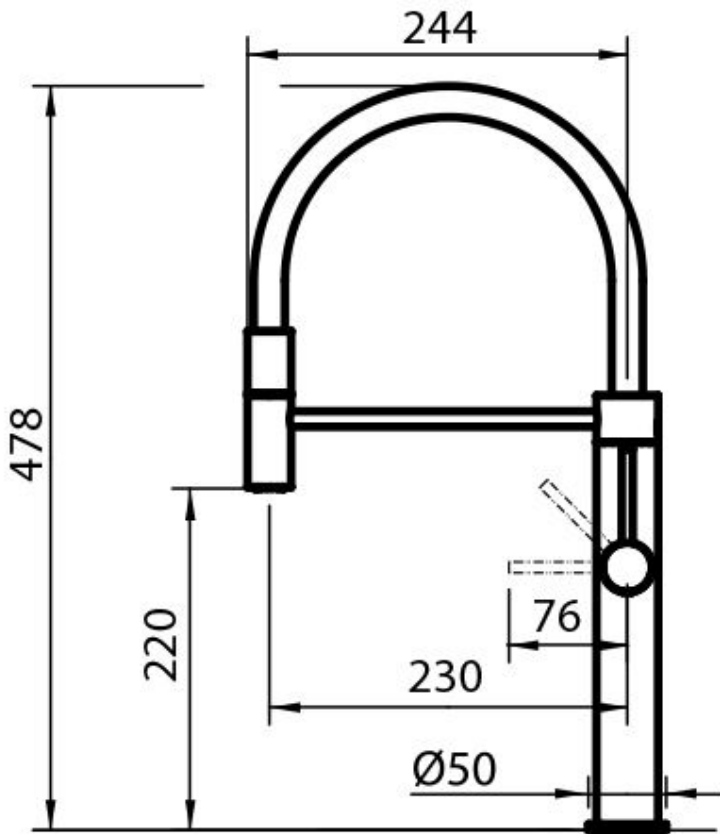
Strengthening plate

Foster's mixer taps are equipped with the strengthening plate that offers perfect stability on any sink.

Rotating angle

All the taps have a wide angle of rotation. Some models even permit a full 360° rotation.

TECHNICAL DATA



GALLERY

